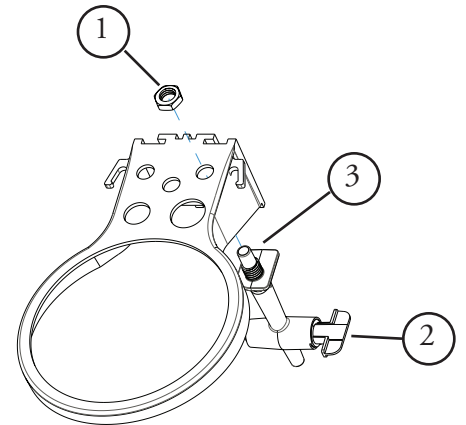


ASSEMBLY INSTRUCTIONS (Requires Ring Bracket 532710)

1. Remove the nut from the threaded portion of the stopcock assembly.
2. Adjust the stopcock so the handle will be accessible on the outside of the bracket.
3. From the bottom of the plastic ring bracket, insert the threaded portion of the stopcock as shown.
4. Thread the nut back onto the stopcock bracket firmly to hold the stopcock in place.



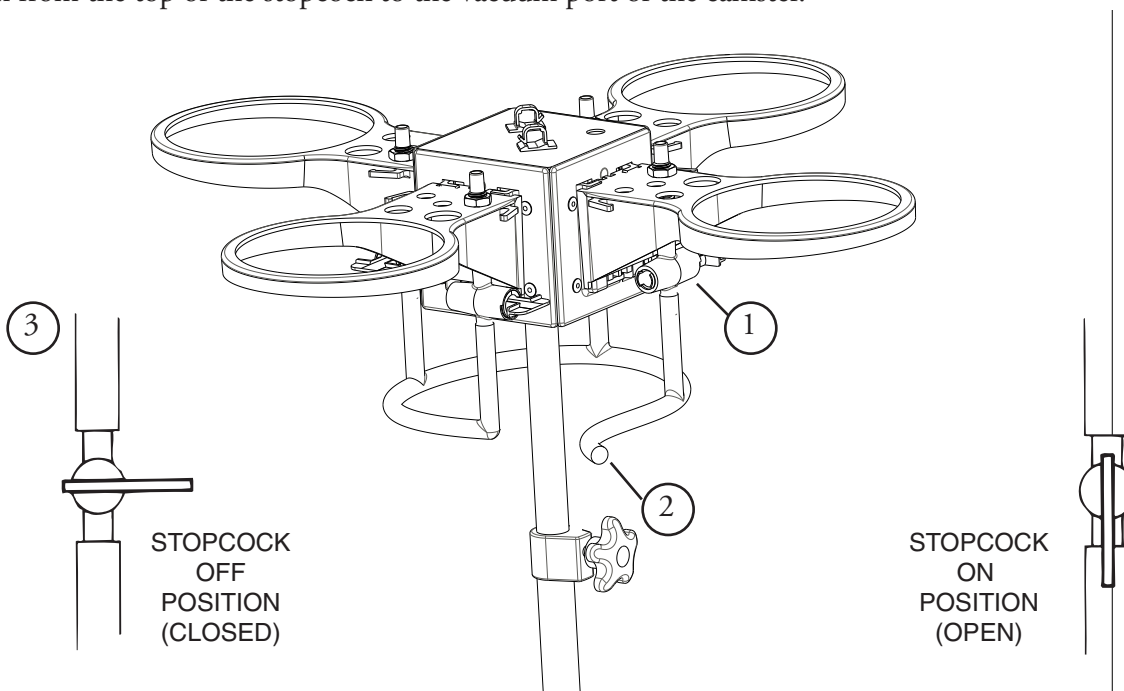
INSTRUCTIONS FOR USE (Single Canister)

- Attach tubing from top of stopcock to vacuum port of canister.
- Connect vacuum tube between bottom of stopcock and vacuum source.
- Turn on vacuum source.
- Use stopcock to turn vacuum on (vertical position) and off (horizontal position) during procedure as needed.

FOR USE ON FOUR-CANISTER STANDS (Requires Manifold #539410)

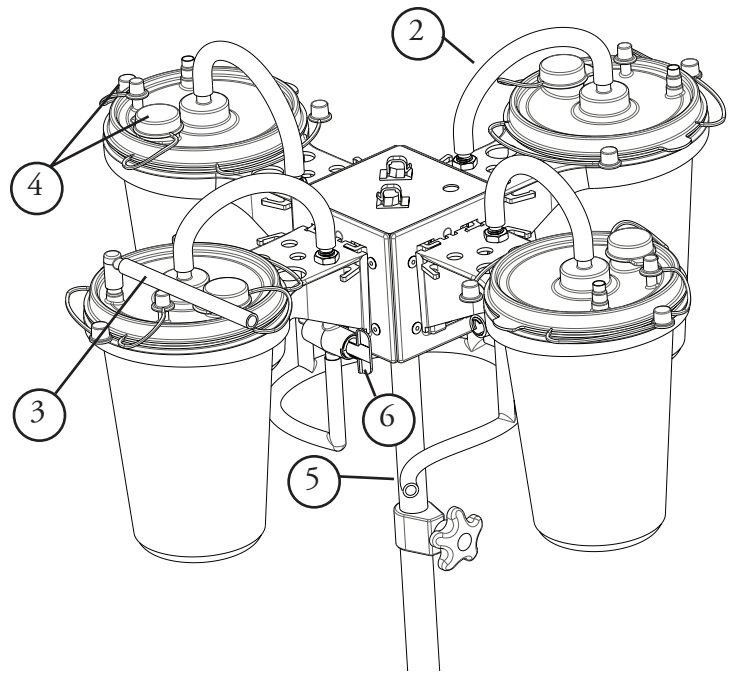
NOTE: Add stopcocks to ring brackets per instructions above.

1. Attach tubing connections of manifold to the ports underneath the reusable stopcock.
2. Connect vacuum tubing to the manifold vacuum port.
3. Turn all stopcocks to the off position (horizontal) until a canister has been placed in the ring bracket and tubing is run from the top of the stopcock to the vacuum port of the canister.



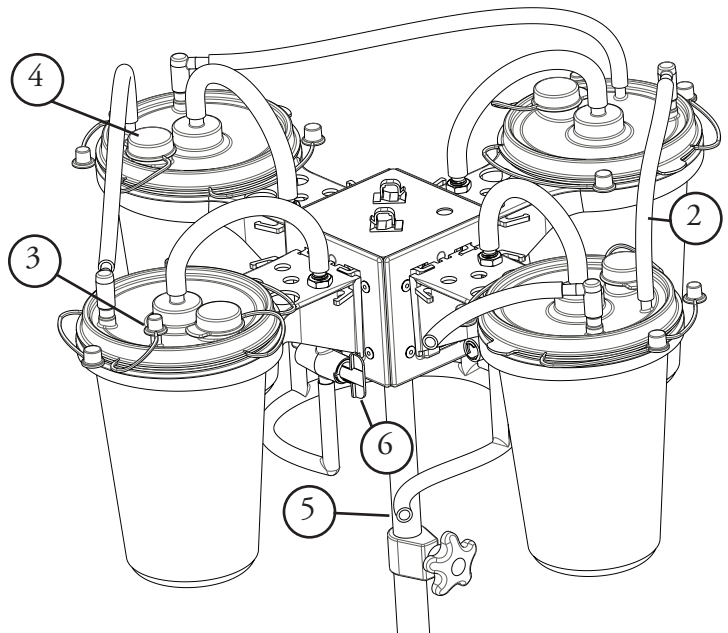
INSTRUCTIONS FOR USE (Manifold Only)

1. Place canisters into stand. Stopcocks should be in off (horizontal) position.
2. Attach short vacuum tube from top of stopcock to vacuum port of each canister.
3. Attach patient tube to patient port of any of the four canisters.
4. Cap tandem ports and pour spouts of all canisters.
5. Make sure tube from manifold vacuum port is connected to vacuum source.
6. Open stopcock to first canister (vertical position).
7. When first canister is full, close stopcock, move patient tube to second canister and open stopcock.
8. Repeat until all canisters are full or until procedure is ended.



INSTRUCTIONS FOR USE (Manifold with Tandem Tubing)

1. Repeat Steps 1-3 above.
2. Using an 18" tandem tube, connect the tandem port of the first canister (with patient tube attached) to the patient port of the next canister. Repeat this step until all canisters are attached.
3. Cap the tandem port of the last canister.
4. Cap the pour spout of all canisters.
5. Make sure tube from manifold is connected to vacuum source.
6. Turn on all stopcocks.
7. When canister is full, fluid will automatically flow into next canister. No need to close stopcocks or move patient tubing.



Note for Both of Above Setups: When procedure is ended, make sure all ports are capped and stopcocks are off before disconnecting vacuum tube and removing full canisters.

