



MEDIC-AID® HEAVY-DUTY PLASTIC TOILET SEAT

MODEL #

COLOR #

2L2150T

DESCRIPTION :

Open front with cover, elongated, heavy-duty, injection molded solid plastic toilet seat. Features four large 2" lift bumpers, check hinges with non-corrosive 300 Series stainless steel posts and pintles and STA-TITE® Commercial Fastening System™. Seat contains DuraGuard® Antimicrobial Built-In Seat Protection™. This seat complies with American National Standard Z124.5 Toilet (Water Closet) Seats as a class Commercial Heavy Duty.

SPECIFICATIONS :

Size:	Elongated
Material:	Plastic
Style:	Open Front with Cover
Bumpers:	Four
Hinges:	Plastic with 300 Series Stainless Steel Posts and Pintles
Fastening System:	STA-TITE® Commercial Fastening System™

FEATURES :

STA-TITE® Commercial Fastening System™

DuraGuard® Antimicrobial Built-In Seat Protection™

2" Lift Hinges and Bumpers

Non-Corrosive 300 Series Stainless Steel Posts and Pintles

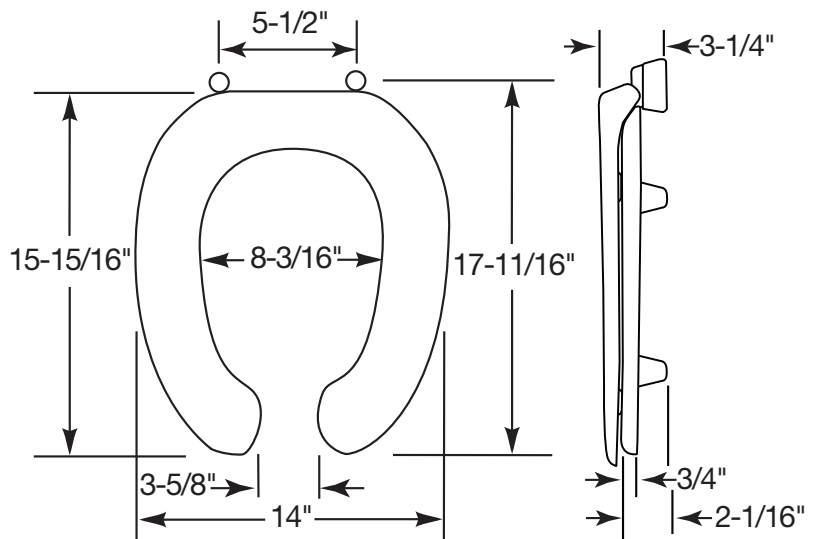
DIMENSIONS :



2" LIFT HINGES AND BUMPERS



STA-TITE® COMMERCIAL FASTENING SYSTEM™



Proudly Made in the USA

Bemis Manufacturing Co., Sheboygan Falls, WI 53085
www.BemisSeats.com

Phone: 920-467-4621 | 800-558-7651 Fax: 920-467-8573



MEDIC-AID® HEAVY-DUTY PLASTIC TOILET SEAT

MODEL #

COLOR #

2L2050T

DESCRIPTION :

Open front with cover, round, heavy-duty, injection molded solid plastic toilet seat. Features two large 2" lift bumpers, check hinges with non-corrosive 300 Series stainless steel posts and pintles and STA-TITE® Commercial Fastening System™. Seat contains DuraGuard® Antimicrobial Built-In Seat Protection™. This seat complies with American National Standard Z124.5 Toilet (Water Closet) Seats as a class Commercial Heavy Duty.

SPECIFICATIONS :

Size:	Round
Material:	Plastic
Style:	Open Front with Cover
Bumpers:	Two
Hinges:	Plastic with 300 Series Stainless Steel Posts and Pintles
Fastening System:	STA-TITE® Commercial Fastening System™

FEATURES :

- STA-TITE® Commercial Fastening System™
- DuraGuard® Antimicrobial Built-In Seat Protection™
- 2" Lift Hinges and Bumpers
- Non-Corrosive 300 Series Stainless Steel Posts and Pintles

DIMENSIONS :



2" LIFT HINGES AND BUMPERS



STA-TITE® COMMERCIAL FASTENING SYSTEM™

