



MEDIC-AID® HEAVY-DUTY PLASTIC TOILET SEAT

MODEL #

COLOR #

3L2150T

DESCRIPTION :

Open front with cover, elongated, heavy-duty, injection molded solid plastic toilet seat. Features four large 3" lift bumpers, check hinges with non-corrosive 300 Series stainless steel posts and pintles and STA-TITE® Commercial Fastening System™. Seat contains DuraGuard® Antimicrobial Built-In Seat Protection™. This seat complies with American National Standard Z124.5 Toilet (Water Closet) Seats as a class Commercial Heavy Duty.

SPECIFICATIONS :

Size:	Elongated
Material:	Plastic
Style:	Open Front with Cover
Bumpers:	Four
Hinges:	Plastic with 300 Series Stainless Steel Posts and Pintles
Fastening System:	STA-TITE® Commercial Fastening System™

FEATURES :

- STA-TITE® Commercial Fastening System™
- DuraGuard® Antimicrobial Built-In Seat Protection™
- 3" Lift Hinges and Bumpers
- Non-Corrosive 300 Series Stainless Steel Posts and Pintles

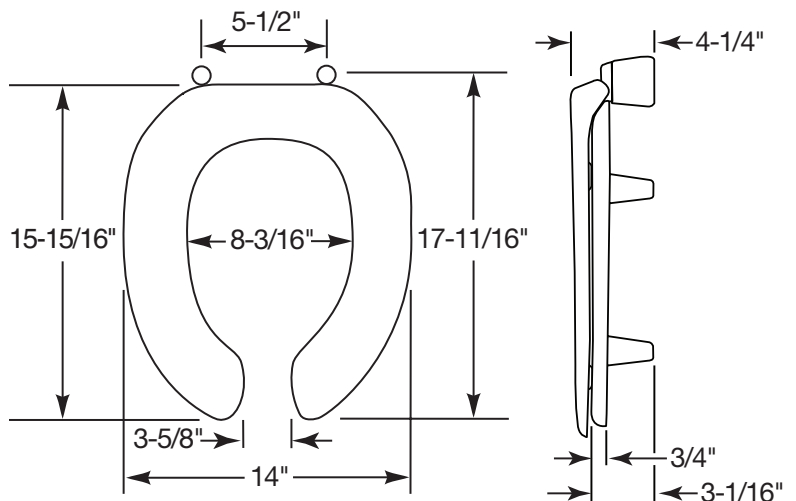
DIMENSIONS :



3" LIFT HINGES AND BUMPERS



STA-TITE® COMMERCIAL FASTENING SYSTEM™





MEDIC-AID® HEAVY-DUTY PLASTIC TOILET SEAT



3" LIFT HINGES AND BUMPERS



STA-TITE® COMMERCIAL FASTENING SYSTEM™

MODEL #

COLOR #

3L2050T

DESCRIPTION :

Open front with cover, round, heavy-duty, injection molded solid plastic toilet seat. Features two large 3" lift bumpers, check hinges with non-corrosive 300 Series stainless steel posts and pintles and STA-TITE® Commercial Fastening System™. Seat contains DuraGuard® Antimicrobial Built-In Seat Protection™. This seat complies with American National Standard Z124.5 Toilet (Water Closet) Seats as a class Commercial Heavy Duty.

SPECIFICATIONS :

- Size: Round
- Material: Plastic
- Style: Open Front with Cover
- Bumpers: Two
- Hinges: Plastic with 300 Series Stainless Steel Posts and Pintles
- Fastening System: STA-TITE® Commercial Fastening System™

FEATURES :

- STA-TITE® Commercial Fastening System™
- DuraGuard® Antimicrobial Built-In Seat Protection™
- 3" Lift Hinges and Bumpers
- Non-Corrosive 300 Series Stainless Steel Posts and Pintles

DIMENSIONS :

