



# HEAVY-DUTY LIFT FOR TOILET SEAT



MODEL #

COLOR #

## 4LET

### DESCRIPTION :

Elongated, heavy-duty, hollow core plastic lift for toilet seats (purchased separately). Provides 4" of additional height above rim once seat is installed. Features 300 Series stainless steel mounting bracket and STA-TITE® Commercial Fastening System™. Bracket allows for both lift and seat to be raised to a vertical position for cleaning.

### SPECIFICATIONS :

Size:	Elongated
Material:	Plastic
Style:	Lift/Riser
Bumpers:	Four
Hinges:	Non-Corroding 300 Series Stainless Steel Mounting Bracket
Fastening System:	STA-TITE® Commercial Fastening System™

### FEATURES :

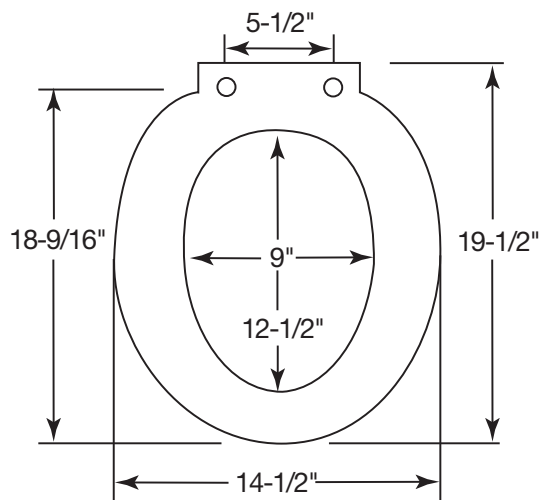
**Non-Corroding 300 Series Stainless Steel Mounting Bracket and Hardware**

**Provides 4" of Additional Height above Rim (When Seat Installed) \***

**STA-TITE® Commercial Fastening System™**

\* It is recommended that only residential toilet seats be installed.

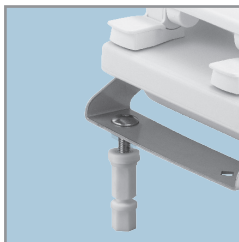
### DIMENSIONS :



Thickness including bumper is 3"



**PROVIDES 4" OF  
ADDITIONAL HEIGHT WHEN  
SEAT IS INSTALLED**



**NON-CORRODING  
300 SERIES SS MOUNTING  
BRACKET AND HARDWARE**



**STA-TITE® COMMERCIAL  
FASTENING SYSTEM™**

Proudly Made in the USA

Bemis Manufacturing Co., Sheboygan Falls, WI 53085  
www.BemisSeats.com

Phone: 800-558-7651 Fax: 800-292-3647



**MODEL #**

**COLOR #**

**4LRT**

**DESCRIPTION :**

Round, heavy-duty, hollow core plastic lift for toilet seats (purchased separately). Provides 4" of additional height above rim once seat is installed. Features 300 Series stainless steel offset mounting bracket and hardware. Bracket allows for both lift and seat to be raised to a vertical position for cleaning.

**SPECIFICATIONS :**

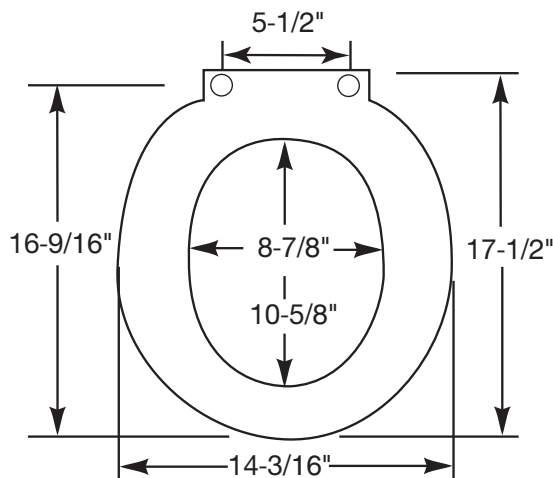
Size: Round  
 Material: Plastic  
 Style: Lift/Riser  
 Bumpers: Four  
 Hinges: Non-Corroding 300 Series Stainless Steel Mounting Bracket  
 Fastening System: STA-TITE® Commercial Fastening System™

**FEATURES :**

**Non-Corroding 300 Series Stainless Steel Mounting Bracket and Hardware**  
**Provides 4" of Additional Height above Rim (When Seat Installed) \***  
**STA-TITE® Commercial Fastening System™**

\* It is recommended that only residential toilet seats be installed.

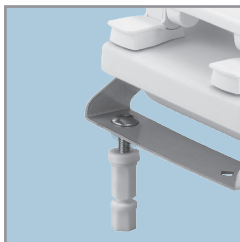
**DIMENSIONS :**



Thickness including bumper is 3"



**PROVIDES 4" OF  
ADDITIONAL HEIGHT WHEN  
SEAT IS INSTALLED**



**NON-CORRODING  
300 SERIES SS MOUNTING  
BRACKET AND HARDWARE**



**STA-TITE® COMMERCIAL  
FASTENING SYSTEM™**